



Kitchen Pull-Out

SPECIFICATIONS

Standard Features

- Ceramic Disc Cartridge
- 1-Hole or 3-Hole Deckmount Kitchen Faucet
- 8" Centers with Vacuum Breaker
- Chrome Plated
- 2.0 gpm @60 psi Flow-down Aerator
- 10" Supplies
- 9" Swing Spout

Codes/Standards

Briggs' Sayco Faucets are designed and manufactured to comply with the following requirements:

- ANSI A112.18.M
- ANSI A117.1 (ADA – *Lever Handle Models*)
- ASSE 1025
- CSA B125
- NSF 61

Specified Model Number



Features	1102	1102W
1/2" IPS Adapters	X	X
Chrome Finish	X	
White Finish		X

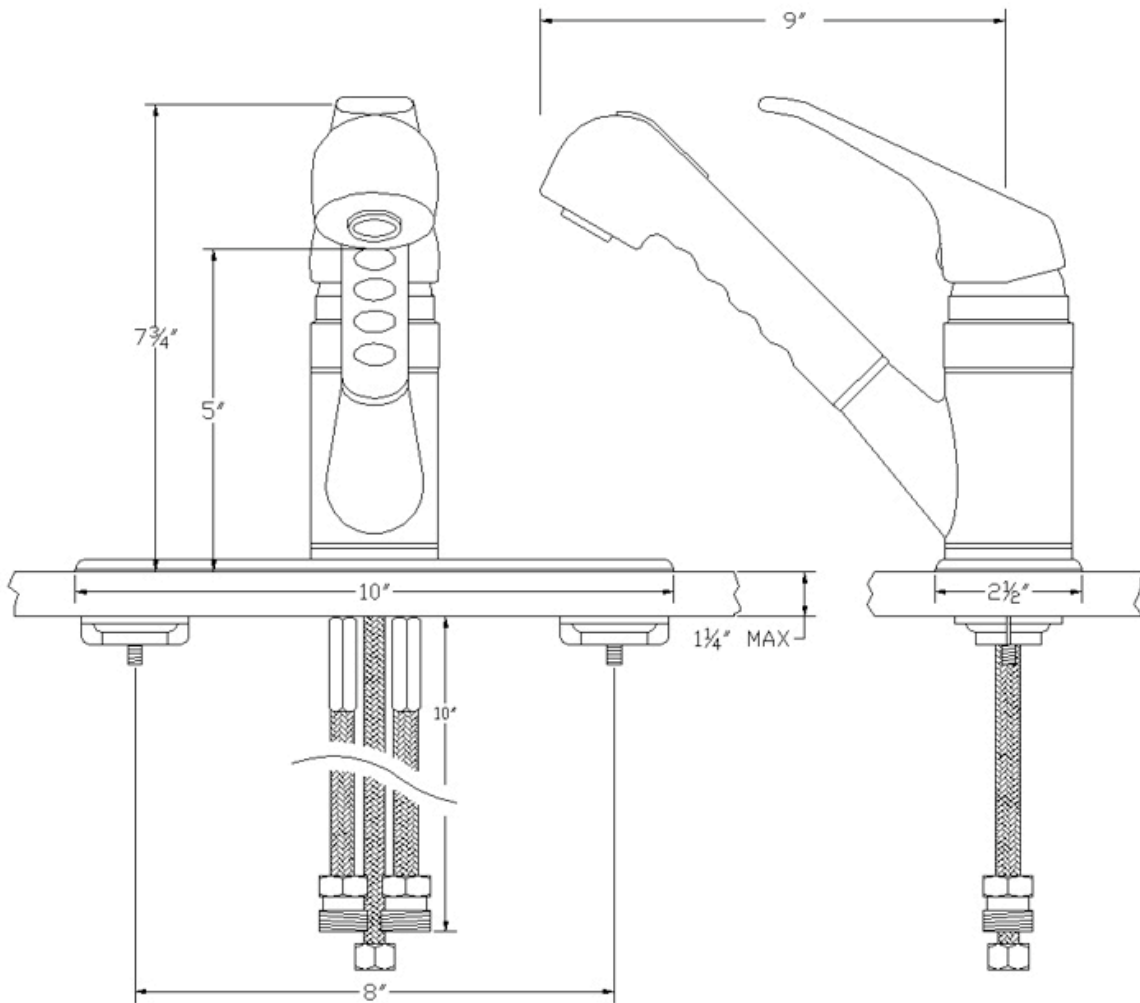
Replacement Parts

1102CHEAD	Chrome Pull Out Spray Head
1102WCHEAD	White Pull Out Spray Head
1102HOSE	Pull Out Kitchen Replacement Hose
1102RV	Pull Out Kitchen Replacement Valve



Kitchen Pull-Out

SPECIFICATIONS



Note: See Accessories Section for Additional Handle Option Kits at www.saycofaucets.com

