

Wall Mount

SPECIFICATIONS

Standard Features

- Compression Cartridge
- Cast Brass Body
- 8" Centers
- Chrome Plated
- ½" IPS Female Inlet Connectors

Codes/Standards

Briggs' Sayco Faucets are designed and manufactured to comply with the following requirements:

- ANSI A112.18.M
- ANSI A117.1 (ADA – *Lever Handle Models*)
- ASSE 1025
- CSA B125
- NSF 61

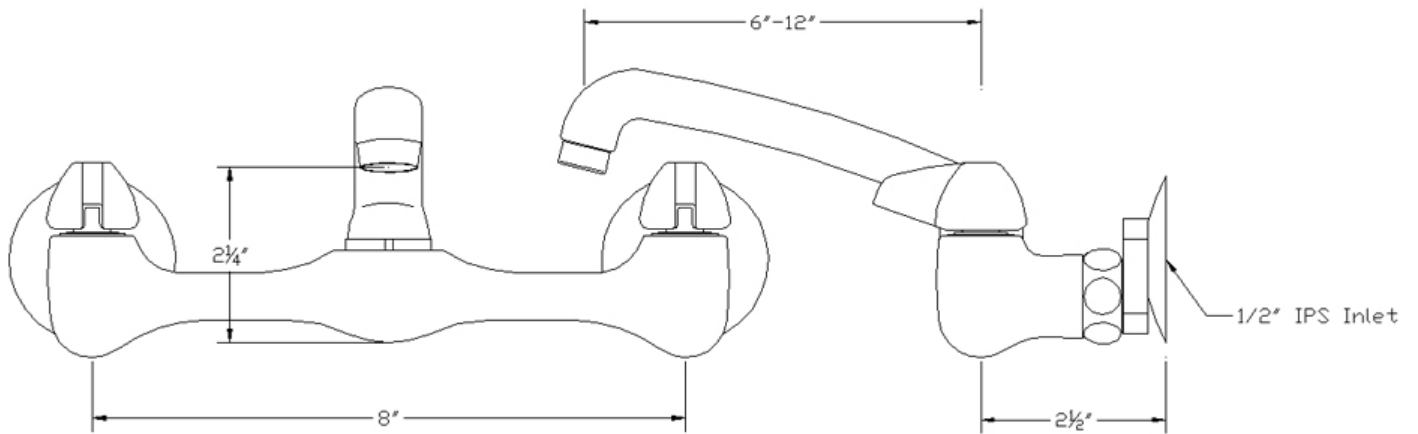
Specified Model Number



Features	20708-8
8" Swing Spout	X
Chrome Finish	X

Wall Mount

SPECIFICATIONS



Note: See Accessories Section For Additional Handle Option Kits at www.saycofaucets.com