

Roman Tub

(Less Handles)

SPECIFICATIONS

Standard Features

- Ceramic Disc Cartridge
- ¼ Turn Non-Rising Brass Stem
- Cast Brass Body
- Deckmount Roman Tub Faucet
- Slip-Fit Spout

Codes / Standards

Briggs / Sayco Faucets are designed and manufactured to comply with the following requirements:

- ANSI A112.18.M
- ANSI A117.1 (ADA – Lever Handle Models)
- ASSE 1025
- CSA B125
- NSF 61

Specified Model Number



Features	901X	901XCB
Chrome Finish	X	
Chrome and Polished Brass Finish		X
Polished Brass Finish		

Special Note:

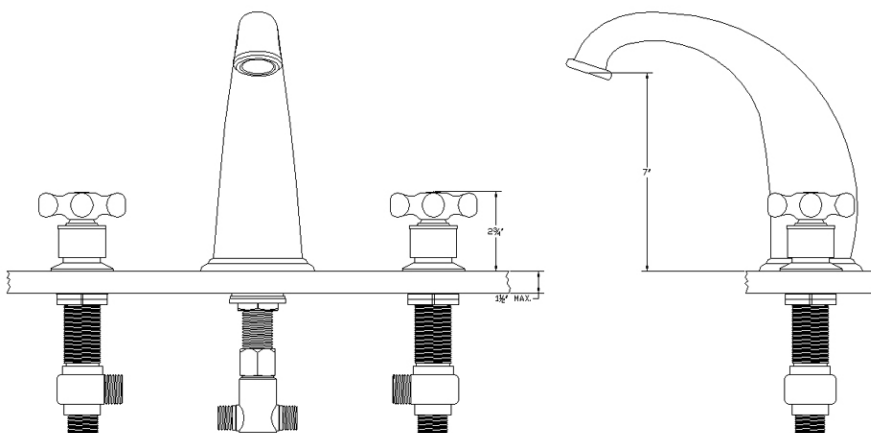
See the catalog Handle Kit Options Section for the following recommended Handle Kits.

Chrome

**HK11 HK13 HK21 HK23
HK26 HK40 HK41 HK47
HK56**

Chrome/Polished Brass

**HK11CB HK13CB
HK23CB HK56CB**



Roman Tub

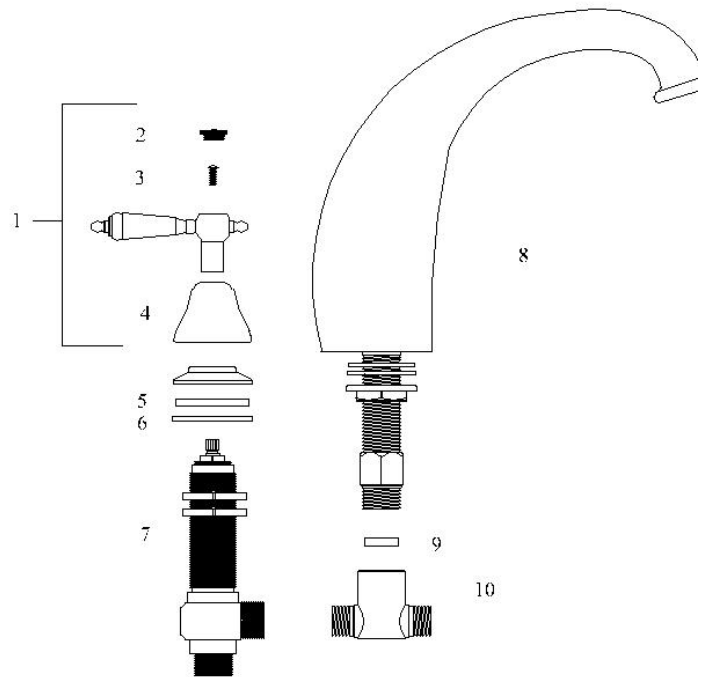
(Less Handles)

ILLUSTRATED PARTS

Model Number(s)

901X
901XCB

#	PART	DESCRIPTION
1	21518H	HANDLE ASSEMBLY (HOT)
	21518C	HANDLE ASSEMBLY (COLD)
	HK11	HANDLE KIT (2 HANDLES)
2	22500H	BUTTON (HOT)
	22500C	BUTTON (COLD)
3	F055	SCREW M4-20 mm
4	20003	ESCUTCHEON
5	J059PL	ESCUTCHEON
6	39506	RUBBER WASHER
7	39507	METAL WASHER
	15004	3/4" CERAMIC CARTRIDGE RH
8	15005	3/4" CERAMIC CARTRIDGE LH
9	PJC004	SPOUT ASSEMBLY
10	21001	RUBBER WASHER
11	38005	3/4-1/2-1/2 TEE



NOTE: See Accessories Section For Additional Handle Kit Options at www.briggsindustries.com