

The Altima™



 BRIGGS®



FEATURES

- Three-hole design
- Integral overflow
- Extended back ledge with exposed mounting holes
- 14" x 19" footprint
- Stain-resistant vitreous china
- Complements the Altima™ toilet
- Faucet and fittings sold separately
- Limited Lifetime warranty

AVAILABLE COLORS



WHITE (130)



BISCUIT (235)



BONE (733)

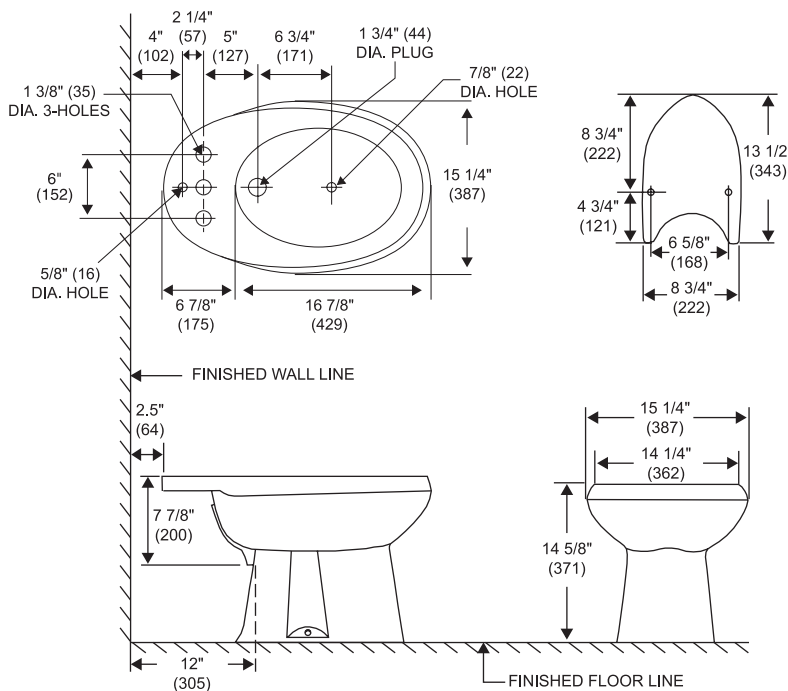
SPECIFICATIONS

- Model 7603: Three-faucet hole bidet, 41 lb (18.6 kg); with optional diverter for fountain spray and full rim wash

SUGGESTED FITTINGS*

- Sayco-Ceram™ Faucet 950: Two handle, three-valve fitting with chrome finish; includes valve, drain and rosette spray

* Fittings not included. Refer to the Sayco Catalog for more information.



Dimensions may vary (+) or (-) 1/4". Dimensions shown in parentheses are in millimeters: 25.4 mm = 1 inch.
 Note: Fixture dimensions are nominal and conform with dimension and performance requirements of ASME A112.19.2-2008 / CSA B45.1-08 standards. Dimensions subject to change or cancellation without notice. Briggs is not responsible for the use of superceded or voided specification information.



(800) 888-4458

www.briggsindustries.com