

The Altima™ Pedestal Lavatory



Design | Technology | Innovation

 BRIGGS®



FEATURES

- Contemporary design
- Concealed front overflow
- Stain-resistant vitreous china
- 2 convenient soap depressions
- Optional decorative leg
- Single hole, 4" or 8" centers available
- Limited Lifetime warranty

AVAILABLE COLORS



WHITE (130)



BISCUIT (235)



BONE (733)

SPECIFICATIONS

- Model 6658: Single hole; consists of lavatory basin (Model 6632), 37.8 lb and pedestal leg (Model 6683), 16.8 lb
- Model 6655: 4" centers; consists of lavatory basin (Model 6634), 37.8 lb and pedestal leg (Model 6683), 16.8 lb
- Model 6657: 8" centers; consists of lavatory basin (Model 6638), 37.8 lb and pedestal leg (Model 6683), 16.8 lb
- 6687: Decorus Leg Option (see inset), white only, 17.3 lb

SUGGESTED FITTINGS

Sayco™ Faucets

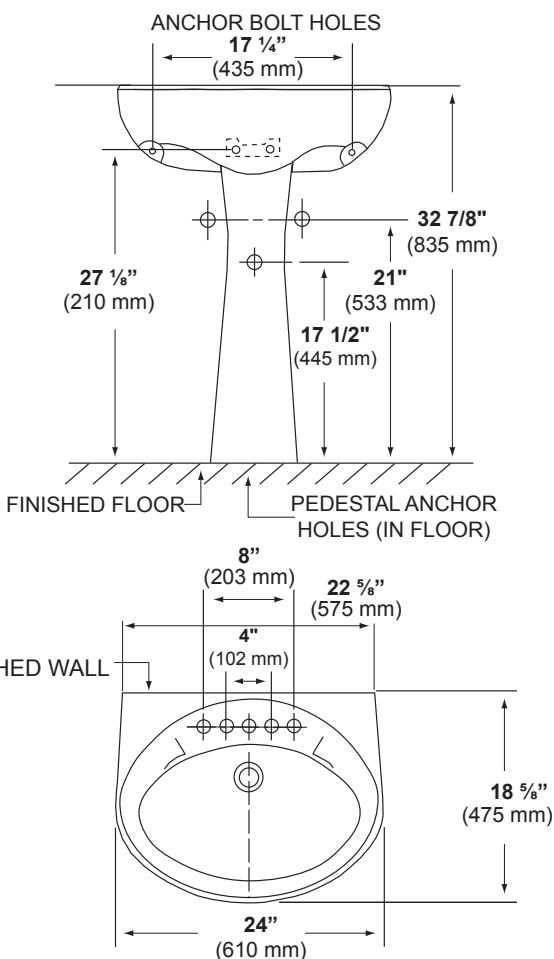
4" centers	8" centers
432X	482X
500L	482XCB
550X	572X

- See the Sayco® Suggested List Price Guide for available handle kits

*Fittings not included. Refer to the Sayco Catalog for more information.

INSTALLATION

- Installation instructions supplied
- Mounting bracket included for easy installation (Part #B3777)
- Plumber note: Provide suitable reinforcement for all wall supports



Dimensions may vary (+) or (-) 1/4". Dimensions shown in parentheses are in millimeters: 25.4 mm = 1 inch. Note: Fixture dimensions are nominal and conform with dimension and performance requirements of ASME/ANSI standards A112.19.2M. PSI rating: 20 minimum to 80 maximum per ASME A112.19.2. Dimensions subject to change or cancellation without notice. Briggs is not responsible for the use of superseded or voided specification information.