

The Classic™ Vacuity®



Design | Technology | Innovation

 BRIGGS®



FEATURES

- Stain-resistant vitreous china
- Powerful one-flush performance of PowerVAC™ flushing system
- 10" x 12" water surface
- High quality Fluidmaster® tank fittings
- Fully glazed 2" trapway
- Operates in a wide range of pressure (5 PSI to 100 PSI)
- Sanitary bar on bowl for ease of cleaning
- Tank within a tank eliminates condensation
- Chrome trip lever
- 21-1/4" x 9-3/4" footprint, Model 4310
- 23" x 10" footprint, Models 4300 and 4340
- 10-year PowerVAC Advantage™ warranty

AVAILABLE COLORS



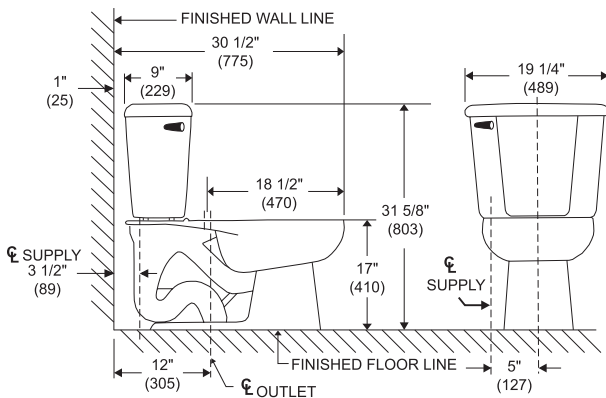
WHITE (130)




BISCUIT (235)



BONE (733)



SPECIFICATIONS

- Model 4200: 12" rough-in elongated toilet, 91 lb, consists of bowl (Model 4300) and tank (Model 4400)
- Model 4210: 12" rough-in round toilet, 86 lb, consists of bowl (Model 4310) and tank (Model 4400)
- Model 4240: 12" rough-in elongated ComfortFit ADA toilet, 96 lb, consists of bowl (Model 4340) and tank (Model 4400) 
- Model 7444: Tank lid for Model 4400

INSTALLATION

- Installation instructions supplied
- Quick-connect system for easy tank-to-bowl installation

	4200	4210	4240
A	30-1/2" (775)	28-1/2" (724)	30-1/2" (775)
B	18-1/2" (470)	16-1/2" (419)	18-1/2" (470)
C	14-1/2" (368)	14-1/2" (368)	17" (432)
D	30" (762)	30" (762)	31-5/8" (803)

Dimensions may vary (+) or (-) 1/4". Dimensions shown in parentheses are in millimeters: 25.4 mm = 1 inch. Note: Fixture dimensions are nominal and conform with dimension and performance requirements of ASME/ANSI Standards A112.19.2M. Dimensions subject to change or cancellation without notice. Briggs is not responsible for the use of superseded or voided specification information.