

The M128 HET



**M128**   
High Efficiency Toilet

 **BRIGGS**<sup>®</sup>  
*High Efficiency Toilets*

# The M128 HET

1.28 gpf / 4.8 lpf  
Jetted Two-Piece Toilet

4680 / 4685 / 4688



**M128**  
High Efficiency Toilet

## FEATURES

- High-efficiency toilet (HET) 1.28 gpf/4.8 lpf
- Fully glazed 2" trapway
- 8" x 10" water surface
- Sanitary bar on bowl for easy cleaning
- Stain-resistant vitreous china
- Limited Lifetime Warranty

## AVAILABLE COLORS



WHITE (130)




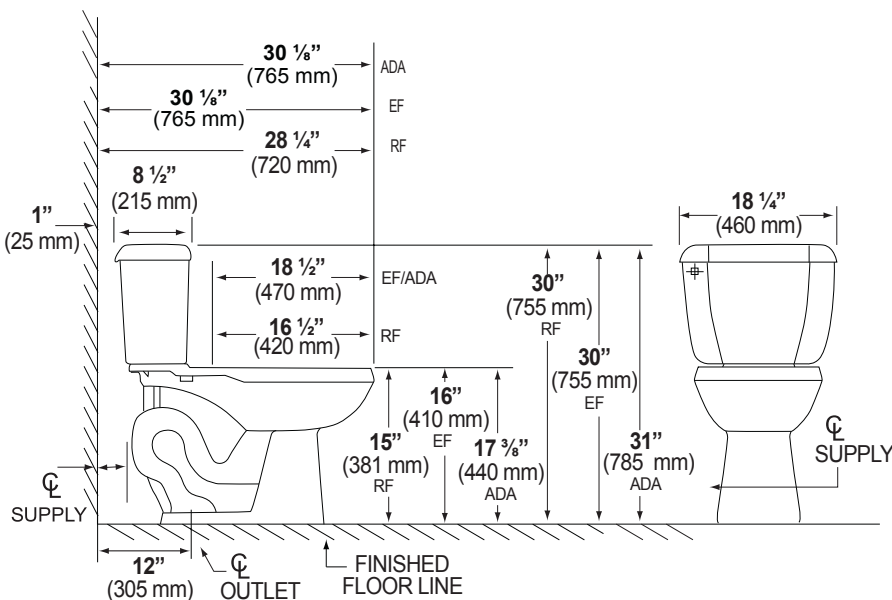
BISCUIT (235)



BONE (733)

## SPECIFICATIONS

- Model 4680: 12" rough-in round toilet, 85 lbs, consists of bowl (Model 4110) and tank (Model 4494)
- Model 4685: 12" rough-in elongated toilet, 85 lbs, consists of bowl (Model 4115) and tank (Model 4494)
- Model 4688: 12" rough-in elongated ComfortFit ADA toilet, 91 lbs, consists of bowl (Model 4118) and tank (Model 4494) 
- Model 7464: Tank lid for Model 4494, 12 lb



Dimensions may vary (+) or (-) 1/4". Dimensions shown in parentheses are in millimeters: 25.4 mm = 1 inch. Note: Fixture dimensions are nominal and conform with dimension and performance requirements of ASME A112.19.2-2008 / CSA B45.1-08 standards. PSI rating: 20 minimum to 80 maximum per ASME A112.19.2008 / CSA B45.1-08. Dimensions subject to change or cancellation without notice. Briggs is not responsible for the use of superceded or voided specification information.



**BRIGGS**  
High Efficiency Toilets

(800) 888-4458

www.briggsindustries.com