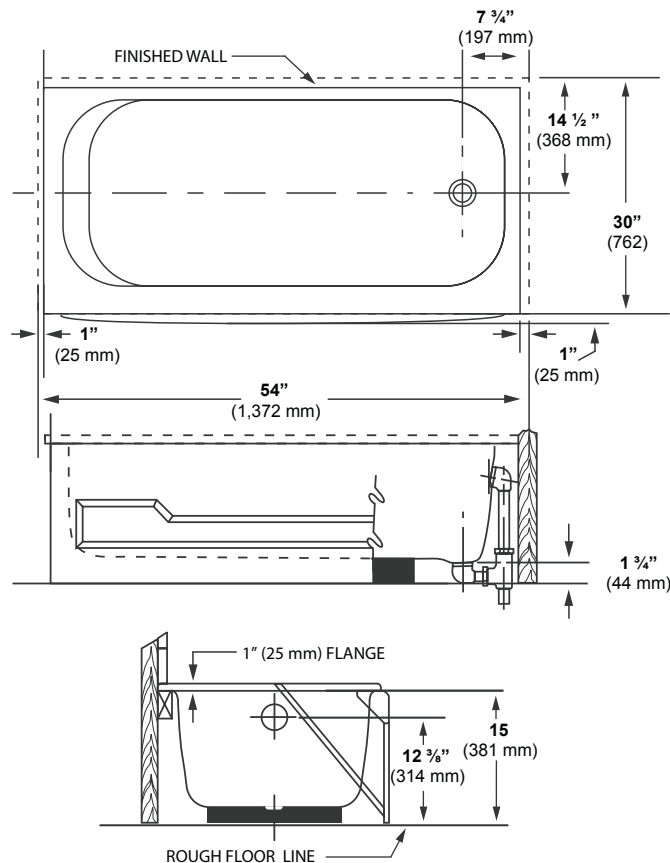


The Pendant 54™





Dimensions may vary (+) or (-) 1/4". Dimensions shown in parentheses are in millimeters: 25.4 mm = 1 inch.
Note: Fixture dimensions are nominal and conform with dimension and performance requirements of ASME/ANSI standards A112.19.1-2008 / CSA B45.2-08. Dimensions subject to change or cancellation without notice. Briggs is not responsible for the use of superceded or voided specification information.

FEATURES

- Porcelain-enameled steel surface
- Slip-resistant floor
- Durabrace® diagonal bracing system
- Continuous tile flange with rounded, watertight corners to keep water in
- ADA Compliant
- Foam bottom support pad
- One-year warranty

AVAILABLE COLORS



WHITE (130)



BONE (733)

SPECIFICATIONS

- Model 2254: Bathtub with right-hand outlet, 71lb
- Model 2255: Bathtub with left-hand outlet, 71lb

INSTALLATION

- Installation instructions supplied
- Plumber note: Provide stringer or other wall support to brace the deck where it meets the wall



(800) 888-4458

www.briggsindustries.com