

Handle Kit

SPECIFICATIONS

Standard Features

- Two Piece Construction
- Brass Body
- Easy to Install Inserts
- Spine Indexing for Easy Handle Adjustment

Codes / Standards

Briggs / Sayco Faucets are designed and manufactured to comply with the following requirements:

- ANSI A112.18.M
- ANSI A117.1 (ADA – Lever Handle Models)
- ASSE 1025
- CSA B125
- NSF 61

Specified Model Number



Model Number	HK22
Insert/Finish	CLEAR ACRYLIC
Kitchen	X
Lavatory	X
Widespread	X
Bar	X
Roman Tub	X
Bidet	X
Quantity/Kit	2

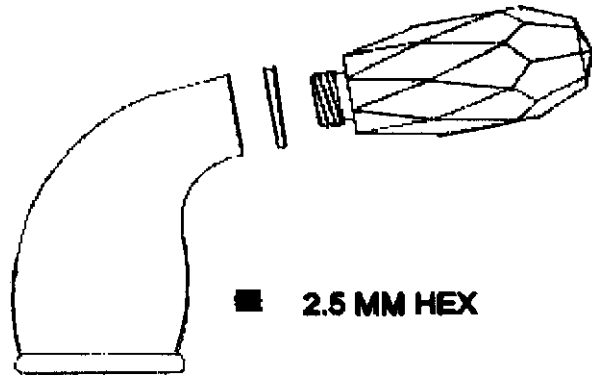
NOTE: See Accessories Section For Additional Handle Kit Options at www.saycofaucets.com

Handle Kit

ILLUSTRATED PARTS

Model Number(s)

HK22



	Kit No.	Kit Qty	Size	Assembly	Screw	Hot	Cold	Insert
Acrylic	HK22	2	-	P781	-	J082	J083	J073

NOTE: See Accessories Section For Additional Handle Kit Options at www.saycofaucets.com