

Handle Kit

SPECIFICATIONS

Standard Features

- Two Piece Construction
- Brass Body
- Easy to Install Inserts
- Spine Indexing for Easy Handle Adjustment

Codes / Standards

Briggs / Sayco Faucets are designed and manufactured to comply with the following requirements:

- ANSI A112.18.M
- ANSI A117.1 (ADA – Lever Handle Models)
- ASSE 1025
- CSA B125
- NSF 61

Specified Model Number



Model Number	HK23	HK23CB
Insert/Finish	CHROME	CHROME / POLISHED BRASS
Kitchen	X	X
Lavatory	X	X
Widespread	X	X
Bar	X	X
Roman Tub	X	X
Bidet	X	X
Quantity/Kit	2	2

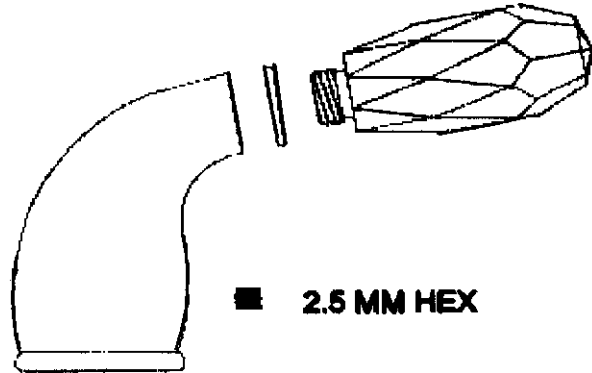
NOTE: See Accessories Section For Additional Handle Kit Options at www.saycofaucets.com

Handle Kit

ILLUSTRATED PARTS

Model Number(s)

HK23
HK23CB



	Kit No.	Kit Qty	Size	Assembly	Screw	Hot	Cold	Insert
Chrome	HK23	2	-	P872	-	J082	J083	J077PL
Chr/PB	HK23CB	2	-	P872CB	-	J082	J083	J077PB

NOTE: See Accessories Section For Additional Handle Kit Options at www.saycofaucets.com